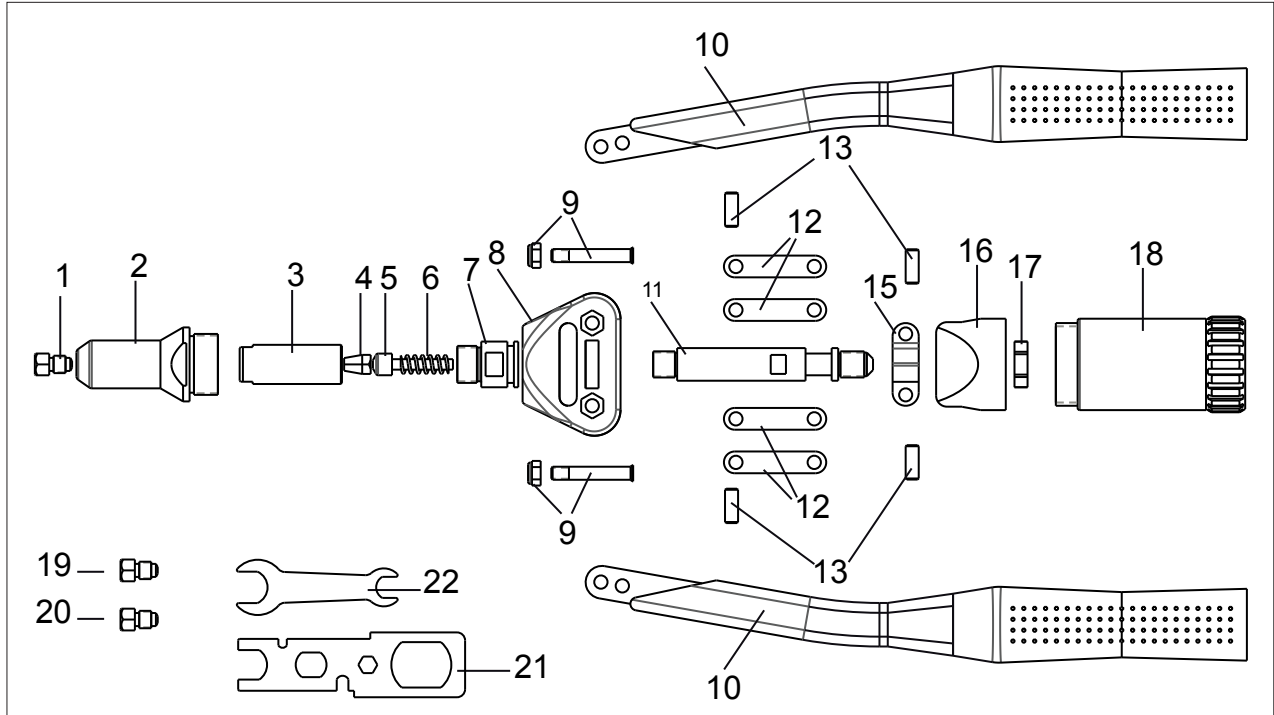


BREAKDOWN BM-164



NOSEPIECE N°	ALU/STEEL ALU/INOX	ALU/ALU	STEEL	STAINLESS STEEL	COPPER	HARDGRIP	STRUCTURAL	HARDLOCK
	d1	d1	d1	d1	d1	d1	d1	d1
950	4,8 - 5,0							
960	6,0					4,8		
964	6,4		6,0 - 6,4	6,0 - 6,4		6,0		6,4 *

OPTIONAL

951		4,8	4,8 - 5,0	4,8 - 5,0	4,8			
982							4,8	
984							6,5 *	
965		5,2 S.TREBOL						
966		6,4 S.TREBOL						
967		7,5* S.TREBOL						

* Jaws 05BM0001003

N°	REFERENCE	DESCRIPTION
1	05BM0000950	Nosepiece nº950
2	05BM0000202	Nosepiece case
3	05BM0000038	Jaw case
4	05BM0001002	Jaws
5	05BM0000041	Jaw pusher
6	05BM0000040	Jaw pusher spring
7	05BM0000037	Jaw case Nut
8	05BM0000204	Main body
9	05BM0000205	Screws + nut
10	05BM0000206	Handle
11	05BM0000208	Expansion piece
12	05BM0000209	Plates (4 units)
13	05BM0000207	Piston
15	05BM0000210	Anchoring piston
16	05BM0000211	Mandrel collector
17	05BM0000212	Collector Nut
18	05BM0000213	Mandrel case
19	05BM0000960	Nosepiece nº960
20	05BM0000964	Nosepiece nº964
21	05BM0000100	Nosepiece Spanner
22	05BM0000109	Wrench 12-18

OPTIONAL

	05BM0000951	Nosepiece nº951
	05BM0000982	Nosepiece nº982
	05BM0000984	Nosepiece nº984
	05BM0000965	Nosepiece nº965
	05BM0000966	Nosepiece nº966
	05BM0000967	Nosepiece nº967
	05BM0001003	Jaws Structural