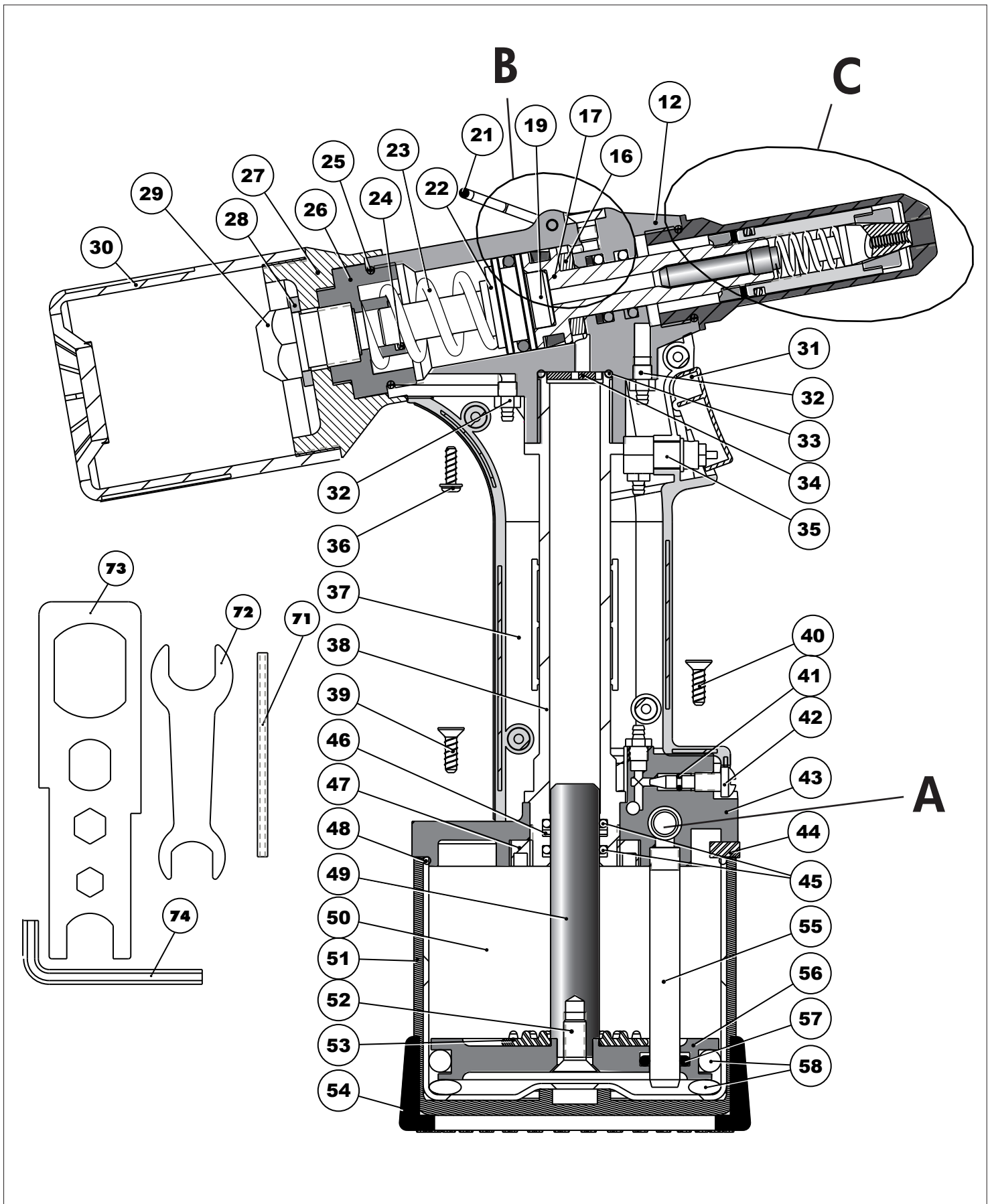
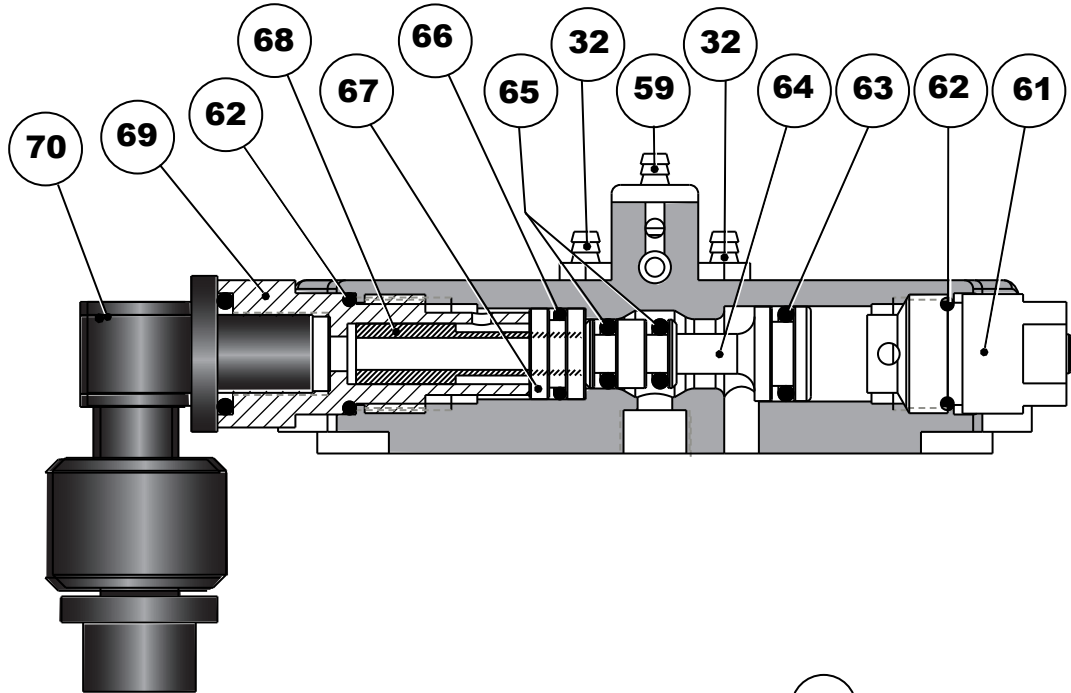


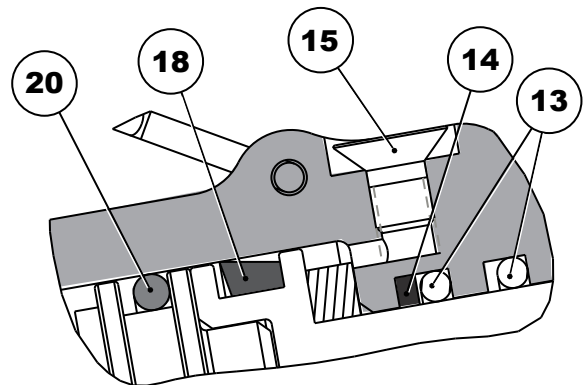
**BREAKDOWN BNT-1, BNT-2 and BNT-3**



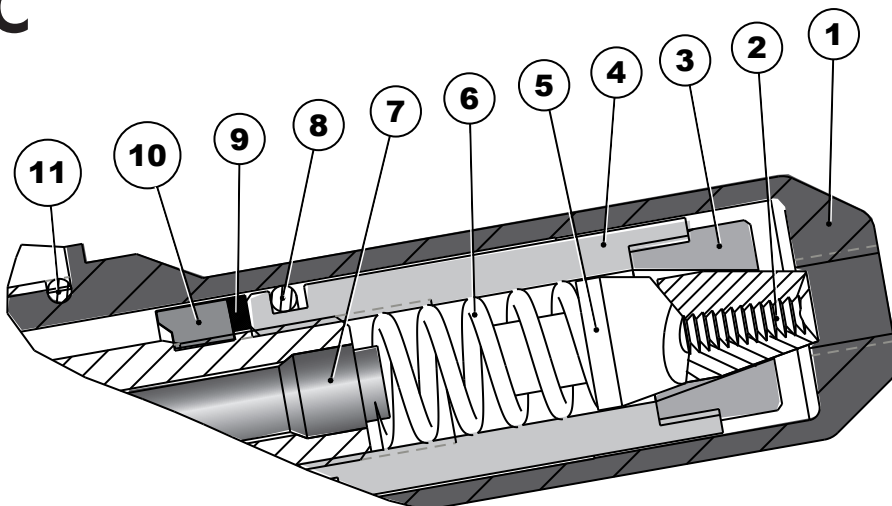
**A**


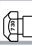




**B**







**C**



NOSEPIECE N°	ALU/STEEL ALU/INOX	ALU/ALU	STEEL	INOX	COPPER	HARDGRIP
	<b>d1</b>	<b>d1</b>	<b>d1</b>	<b>d1</b>	<b>d1</b>	<b>d1</b>
 <b>724</b>	<b>2,4</b>	<b>2,4</b>		<b>2,4</b>		
 <b>730</b>	<b>3,0 - 3,2</b>	<b>3,0 - 3,2</b>	<b>3,0 - 3,2</b>		<b>3,0 - 3,2</b>	<b>3,2</b> steel
 <b>740</b>	<b>4,0</b>	<b>4,0</b>	<b>4,0</b>	<b>3,0 - 3,2</b> <b>4,0</b>	<b>4,0</b>	<b>3,2</b> inox
 <b>750</b>	<b>4,8 - 5,0</b>					<b>4,0</b>

OPTIONAL

 <b>765</b>		<b>5,2 *</b> S.TREBOL				
 <b>754</b>	<b>4,8 - 5,0</b> Head Ø16					
 <b>774</b>	<b>4,8 - 5,0</b> Head Ø14 compositor panel					
 <b>776</b>	<b>4,8 - 5,0</b> Head Ø16 compositor panel					

\* Jaws 05BM0001004

N°	REFERENCE	DESCRIPTION
1	05BNT000358	NOZZLE ASSEMBLY
2	05BNT001001	SMALL GAUGE JAWS
3	05BNT000346	JAW HOLDER CONE
4	05BNT000348	JAW HOLDER CYLINDER
5	05BNT000351	JAW PISTON
6	05BNT000349	JAW SPRING
7	05BNT000326	DRIVING AXLE INSERT
8	05BNT000386	JAW ASSEMBLY O-RING
9	05BNT000363	JAW ASSEMBLY WASHER
10	05BNT000350	JAW ASSEMBLY NUT
11	05BNT000390	NOZZLE HOLDER O-RING
12	05BNT000311	DRIVE SHAFT HOUSING
13	05BNT000378	DRIVE SHAFT O-RING HOUSING
14	05BNT000377	DRIVE SHAFT SUPPORT RING HOUSING
15	05BNT000410	OIL LOCKING SCREW
16	05BNT000393	DRIVE SHAFT NYLON STOPPER RING
17	05BNT000316	DRIVE SHAFT FRONT SECTION
18	05BNT000375	DRIVE SHAFT PACKING
19	05BNT000317	DRIVE SHAFT REAR SECTION
20	05BNT000384	DRIVE SHAFT O-RING
21	05BNT000367	STORAGE HANGING RING
22	05BNT000374	DRIVE SHAFT SPRING GUIDE
23	05BNT000372	DRIVE SHAFT HOUSING SPRING
24	05BNT000388	INNER O-RING SHAFT HOUSING PLUG
25	05BNT000389	OUTER O-RING SHAFT HOUSING PLUG
26	05BNT000362	SHAFT HOUSING PLUG
27	05BNT000400	SPENT MANDREL COLLECTOR RECEPTACLE
28	05BNT000364	SPENT MANDREL EJECTOR WASHER
29	05BNT000365	MANDREL EJECTOR
30	05BNT000402	SPENT MANDREL COLLECTOR
31	05BNT000411	TRIGGER SWITCH
32	05BNT000403	AIR TUBE JUNCTION
33	05BNT000391	OLEO CYLINDER OUTER RING SEAL
34	05BNT000325	OLEO CYLINDER VALVE WASHER
35	05BNT000412	SWITCH ASSEMBLY
36	05BNT000405	HANDLE BOLTS
37	05BNT000366	HANDLE ASSEMBLY
38	05BNT000324	HYDRAULIC OLEO CYLINDER
39	05BNT000406	Ø4 HOUSING SHORT SCREW
40	05BNT000407	Ø4 HOUSING LONG SCREW
41	05BNT000399	VACUUM CUTOFF SHAFT SEAL

N°	REFERENCE	DESCRIPTION
42	05BNT000398	VACUUM CUTOFF SHAFT
43	05BNT000308	TOP HOUSING COVER
44	05BNT000331	COVER MUFFLER FILTER
45	05BNT000379	HYDRAULIC OLEO CYLINDER INNER SEAL
46	05BNT000380	OLEO CYLINDER SUPPORT RING
47	05BNT000343	COVER NECK CLOSING SCREW
48	05BNT000392	COVER CLOSING O-RING
49	05BNT000369	PLUNGER PISTON COVER
50	05BNT000301	INTERIOR ALUMINUM COVER
51	05BNT000302	EXTERIOR PLASTIC COVER
52	05BNT000409	PLUNGER SCREW COVER
53	05BNT000404	PLUNGER RUBBER STOPPER
54	05BNT000341	BOTTOM PROTECTION
55	05BNT000396	AIR TUBE COVER
56	05BNT000344	PNEUMATIC COVER PLUNGER
57	05BNT000381	PLUNGER O-RING COVER WITH TUBE
58	05BNT000382	PLUNGER O-RING COVER
59	05BNT000418	VACUUM TUBE JUNCTION
61	05BNT000339	SAFETY VALVE
62	05BNT000336	AIR INTAKE O-RING PLUG
63	05BNT000330	VALVE O-RING, LARGE
64	05BNT000328	VALVE PISTON
65	05BNT000329	VALVE O-RING, SMALL
66	05BNT000333	VALVE O-RING CLOSING WASHER
67	05BNT000332	VALVE CLOSING WASHER
68	05BNT000334	AIR CLOSING VALVE
69	05BNT000335	AIR INLET PLUG
70	05BNT000416	AIR INLET FITTING
71	05BNT000337	Ø4 AIR TUBE
72	05BNT000414	16-18 WRENCH
73	05BNT000413	PNEUMATIC NOZZLE HOLDER KEY
74	05BNT000415	ALLEN WRENCH
	05BM0000724	NOSEPIECE 724
	05BM0000730	NOSEPIECE 730
	05BM0000740	NOSEPIECE 740
	05BM0000750	NOSEPIECE 750
OPTIONAL		
	05BM0000765	NOSEPIECE 765
	05BM0000754	NOSEPIECE 754
	05BM0000774	NOSEPIECE 774 compositor panel
	05BM0000776	NOSEPIECE 776 compositor panel