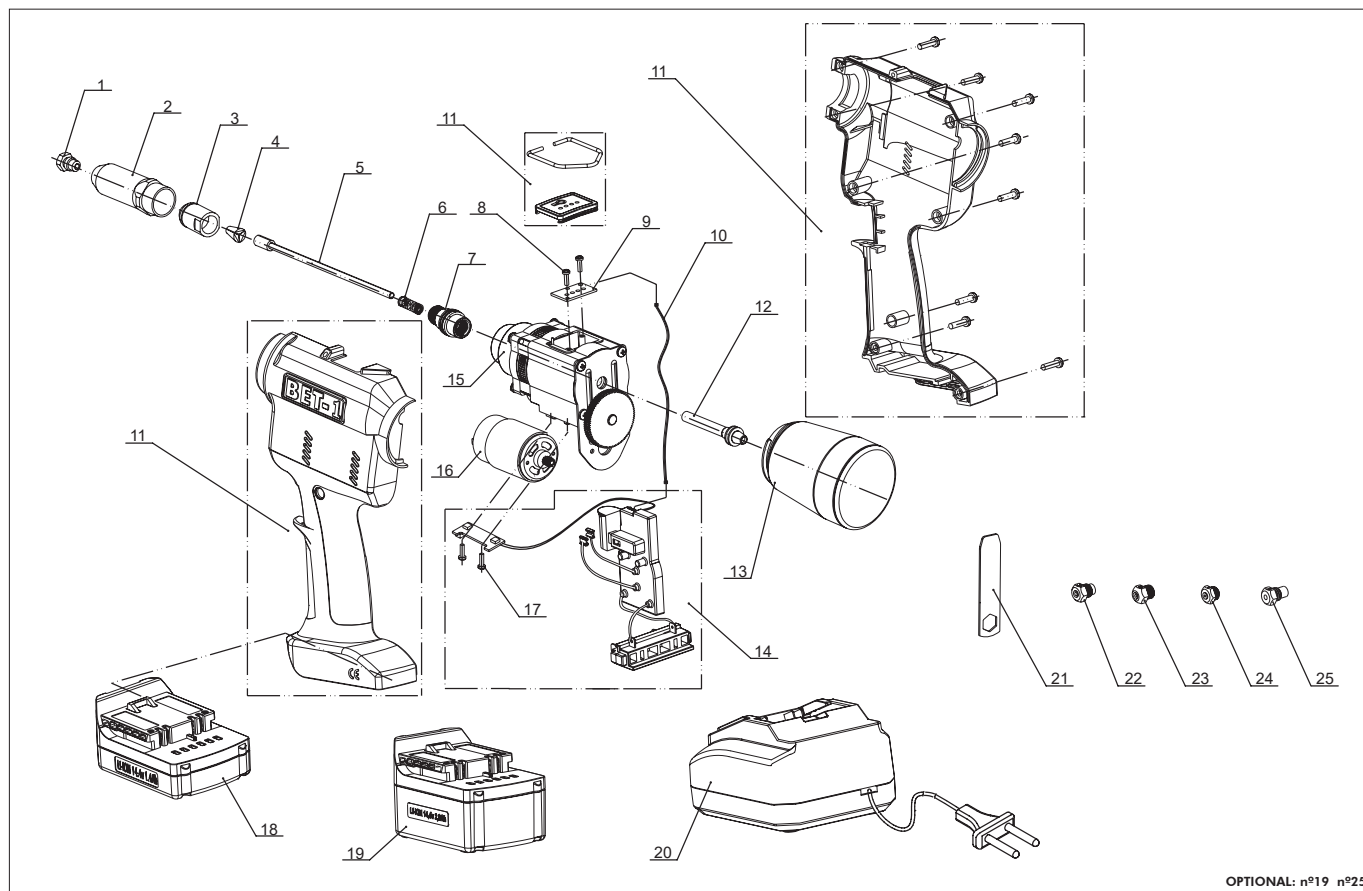


BREAKDOWN BET-1



OPTIONAL: n°19 n°25

NOSEPIECE N°	ALU/STEEL ALU/INOX	ALU/ALU	STEEL	STAINLESS STEEL	COPPER	HARDGRIP
--------------	--------------------	---------	-------	-----------------	--------	----------

	d1	d1	d1	d1	d1	d1
A	2,4	2,4	2,4	2,4	2,4	
B	3,0-3,2	3,0-3,2	3,0-3,2	3,0-3,2	3,0-3,2	3,2
C	4,0	4,0	4,0	4,0	4,0	
D	4,8-5,0	4,8-5,0	4,8-5,0		4,8-5,0	4,0
E*				4,8-5,0		

N°	REFERENCE	DESCRIPTION
----	-----------	-------------

1	05BET100001	Nosepiece D blind rivets Ø4,8/5,0
2	05BET000002	Nosecap BET-1
3	05BET000003	Jaw case BET-1
4	05BET100004	Jaws set BET-1 (3 units)
5	05BET100005	Mandrel guide
6	05BET000006	Jaw spring
7	05BET100007	Jaw case cap
8	05BET000008	Screws (2 units) Life battery indicator
9	05BET000009	Life battery indicator
10	05BET000010	Life indicator cable
11	05BET100011	Body group
12	05BET100012	Mandrel ejector
13	05BET000013	Mandrel catcher
14	05BET100014N	Group PCB
15	05BET100015	Gears box
16	05BET100016	Electrical motor
17	05BET000017	Motor screws (2 units)
18	05BET100018F	Battery 4 cells Li-Ion 14,4 V
19	05BET100019F	Battery 8 cells Li-Ion 14,4 V *
20	05BET000020	Charger STD
21	05BET000021	Spanner
22	05BET100022	Nosepiece C Blind rivets Ø4,0
23	05BET100023	Nosepiece B Blind rivets Ø3,0/3,2
24	05BET100024	Nosepiece A Blind rivets Ø2,4
25	05BET200027	Nosepiece E Blind rivets Ø4,8/5,0 inox *

OPTIONAL

* It is supplied as optional part.