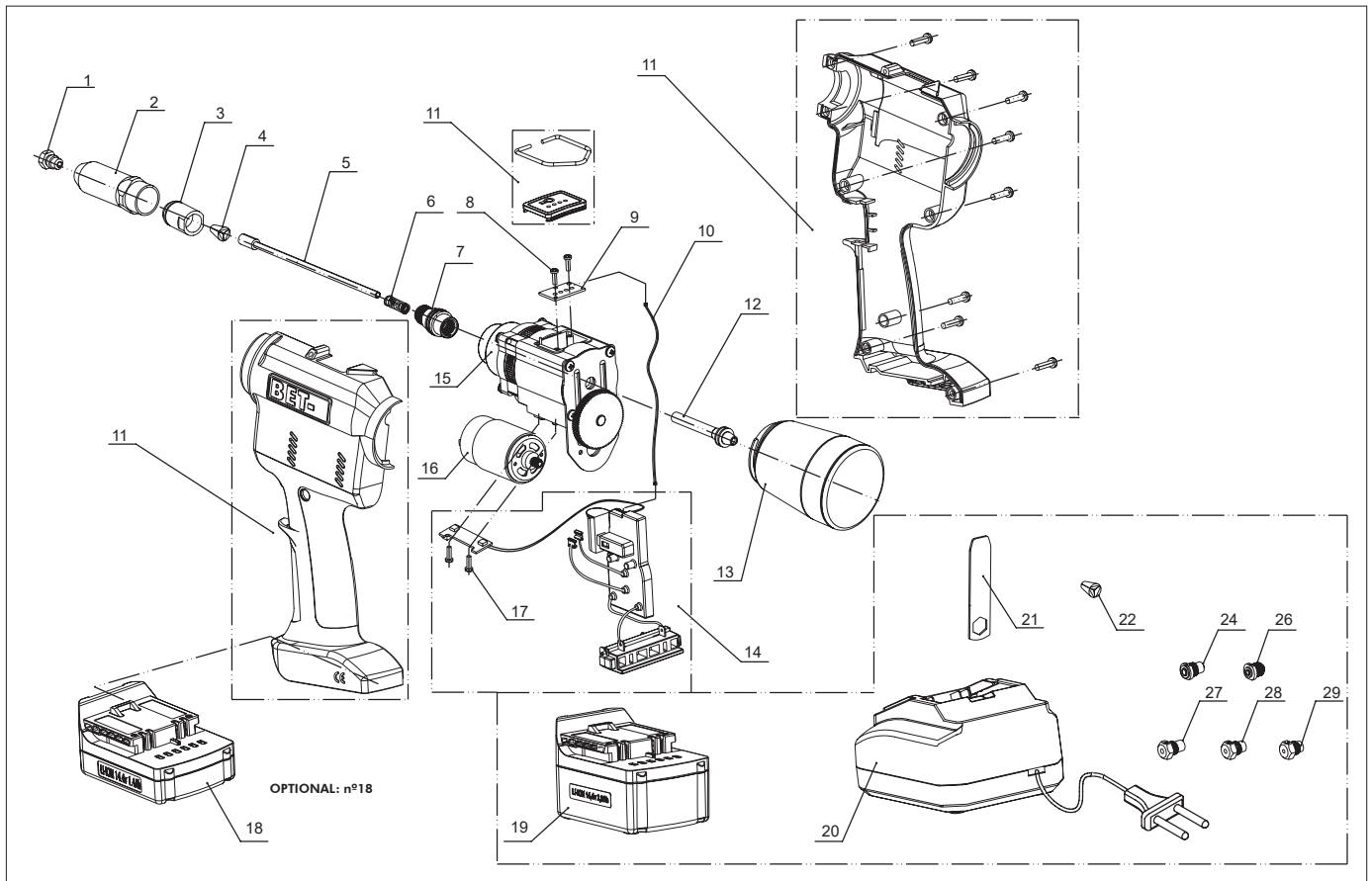


BREAKDOWN BET-2



NOSEPIECE N°	ALU/STEEL ALU/INOX	ALU/ALU	STEEL	STAINLESS STEEL	COPPER	HARDGRIP	HARDLOCK	STRUCTURAL
--------------	--------------------	---------	-------	-----------------	--------	----------	----------	------------

	d1	d1	d1	d1	d1	d1	d1	d1
F	6,4	6,4	6,4	6,4	6,4	6,0	6,4	
J								6,5
G								4,8
E	6,0	6,0	6,0	4,8-5,0	6,0	4,8-5,0		
D	4,8-5,0	4,8-5,0	4,8-5,0		4,8-5,0			
C	4,0	4,0	4,0	4,0	4,0	4,0		

OPCIONAL

L	5,2 S-Trébol							
O	6,4 S-Trébol							
M	7,7 S-Trébol*							

* It is necessary to purchase separately the KIT S-Trébol 7,7 mm (nosepiece and mandrel guided are included) and mounting in the tool.

Nº	REFERENCE	DESCRIPTION
----	-----------	-------------

1	05BET200001	Nosepiece F blind rivets Ø6,4
2	05BET000002	Nosecap BET-2
3	05BET000003	Jaw case BET-2
4	05BET200004	Jaws set BET-2 (3 units)
5	05BET200005	Mandrel guide
6	05BET000006	Jaw spring
7	05BET200007	Jaw case cap
8	05BET000008	Screws (2 units) Life battery indicator
9	05BET000009	Life battery indicator
10	05BET000010	Life indicator cable
11	05BET200011	Body group
12	05BET200012	Mandrel ejector
13	05BET000013	Mandrel catcher
14	05BET200014N	Group PCB
15	05BET200015	Gears box
16	05BET100016	Electrical motor
17	05BET000017	Motor screws (2 units)
18	05BET100018F	Battery 4 cells Li-Ion 14,4 V*
19	05BET100019F	Battery 8 cells Li-Ion 14,4 V
20	05BET000020	Charger STD/UK/MX
21	05BET000021	Spanner
22	05BET100004	Jaws set (3 units) Ø4,0/4,8/5,0
24	05BET200024	Nosepiece J Blind rivets Ø6,5 Structural
26	05BET200026	Nosepiece G Blind rivets Ø4,8 Structural
27	05BET200027	Nosepiece E Blind rivets Ø6,0
28	05BET100001	Nosepiece D Blind rivets Ø4,8/5,0
29	05BET100022	Nosepiece C Blind rivets Ø4,0

* The battery 4 cells Li-Ion 14,4 V is supplied as optional battery.

OPTIONAL

	05BET200035	Nosepiece L Ø5,2 S-trebol
	05BET200025	Nosepiece O Ø6,4 S-trebol
	05BET200037	KIT S-trebol rivets Ø7,7 S-Trebol

